

Z:\ANALYSIS\Building America\TO 10A - Adv. Syst. Research\Borrego Springs\Monitoring\Borrego_Mech_schematic.dwg Jul 05, 2005 - 1:07 pm



DAVIS ENERGY GROUP, INC.TM
 123 C Street, Davis, CA 95616
 (530) 753-1100, FAX (530) 753-4125
 www.davisenergy.com

MONITORING SCHEMATIC -- DIGEORGIO
FEUS SYSTEM

DATE: 13-MAY-05
 SCALE: NONE
 SHEET 1 OF 4

JOB: BLDAM
 DRAWN BY: DEG
 SHEETS

FLUSH VALVE, CLOSE
 WHEN PURGING LINES
 ONLY.

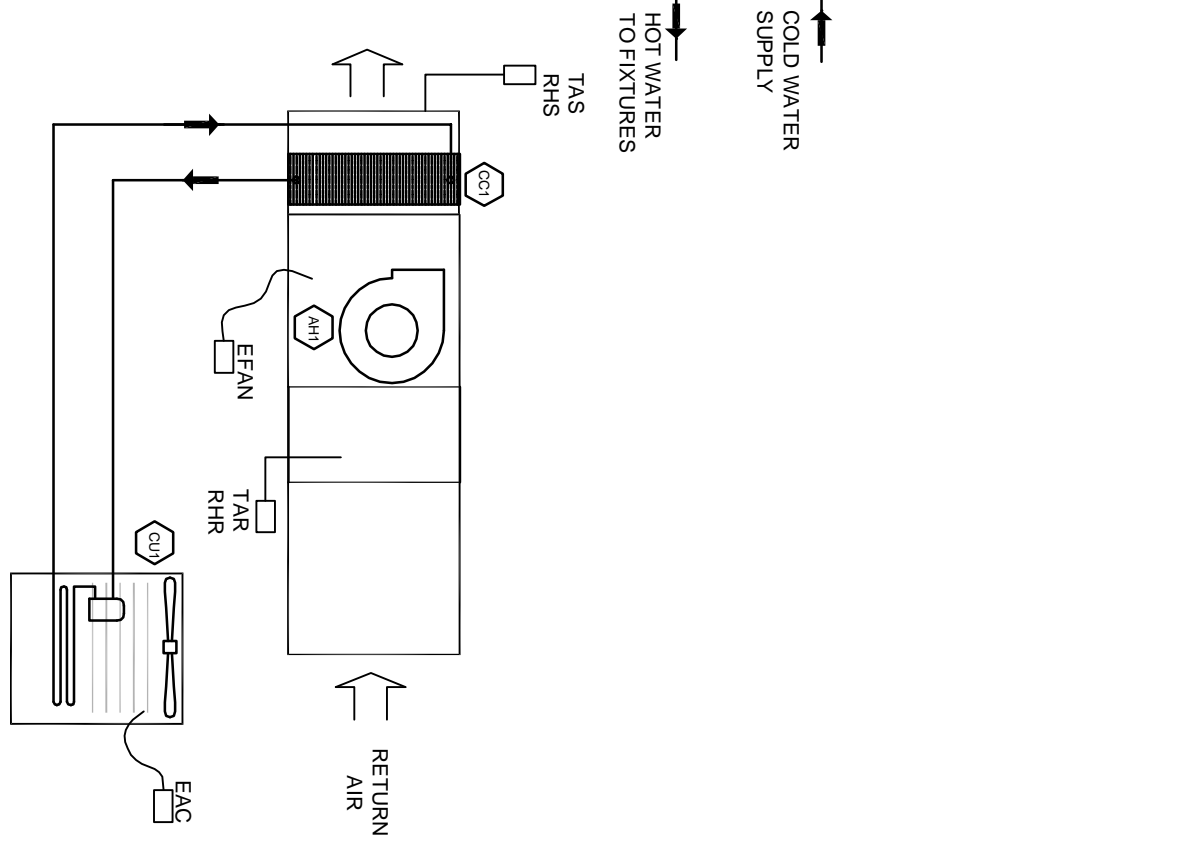
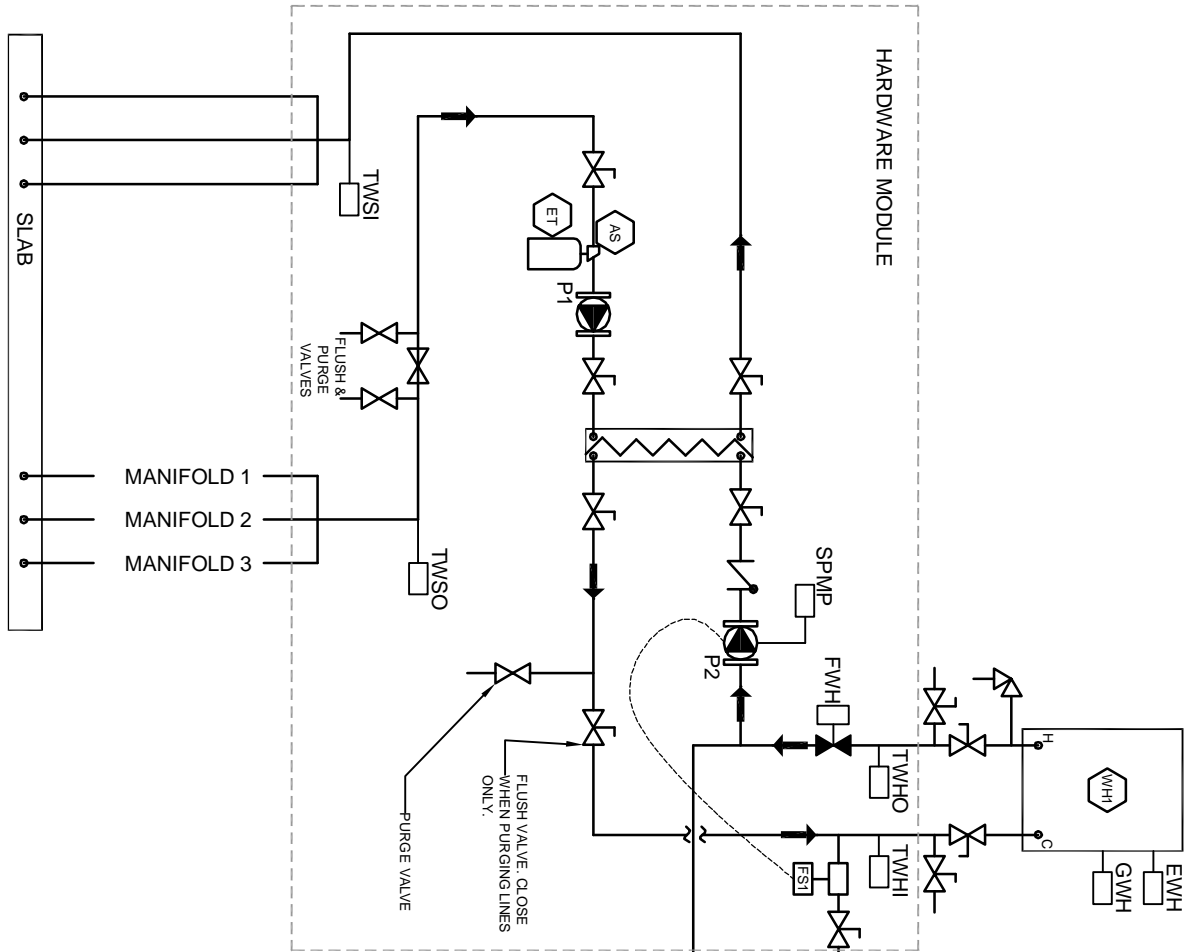
PURGE VALVE

HOT WATER
 TO FIXTURES

COLD WATER
 SUPPLY

OUTDOOR
 AIR

RETURN
 AIR



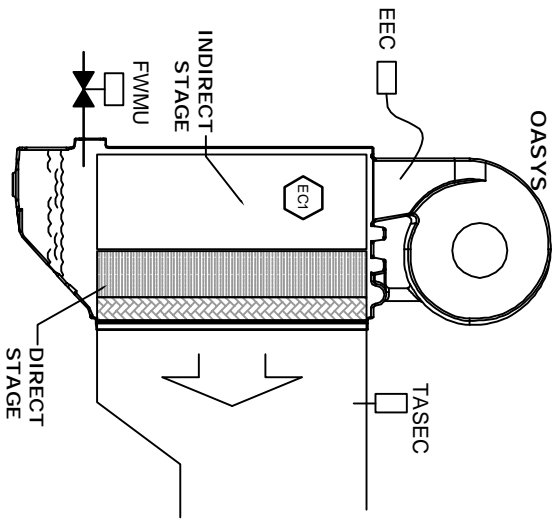
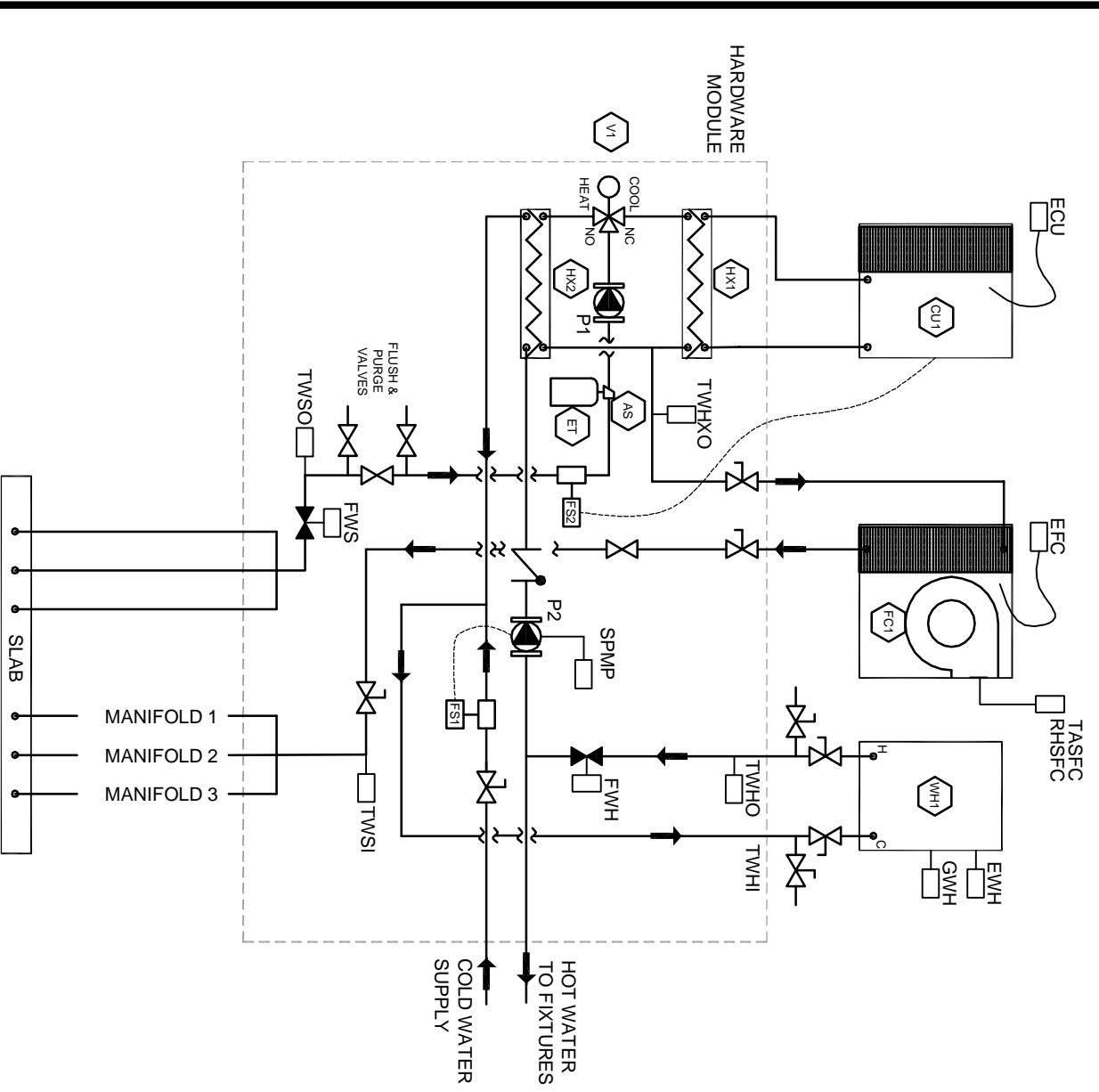
Z:\ANALYSIS\Building America\TO_10A - Adv. Syst. Research\Borrego Springs\Monitoring\Borrego_Mech_schematic.dwg Jul 05, 2005 - 1:07 pm

DAVIS ENERGY GROUP, INC.
 123 C Street, Davis, CA 95616
 (530) 753-1100, FAX (530) 753-4125
 www.davisenergy.com

MONITORING SCHEMATIC -- EAST STAR
LENNOX SYSTEM

DATE: 13-MAY-05
 SCALE: NONE
 SHEET 1 OF 4

JOB: BLDAM
 DRAWN BY: DEG
 SHEETS



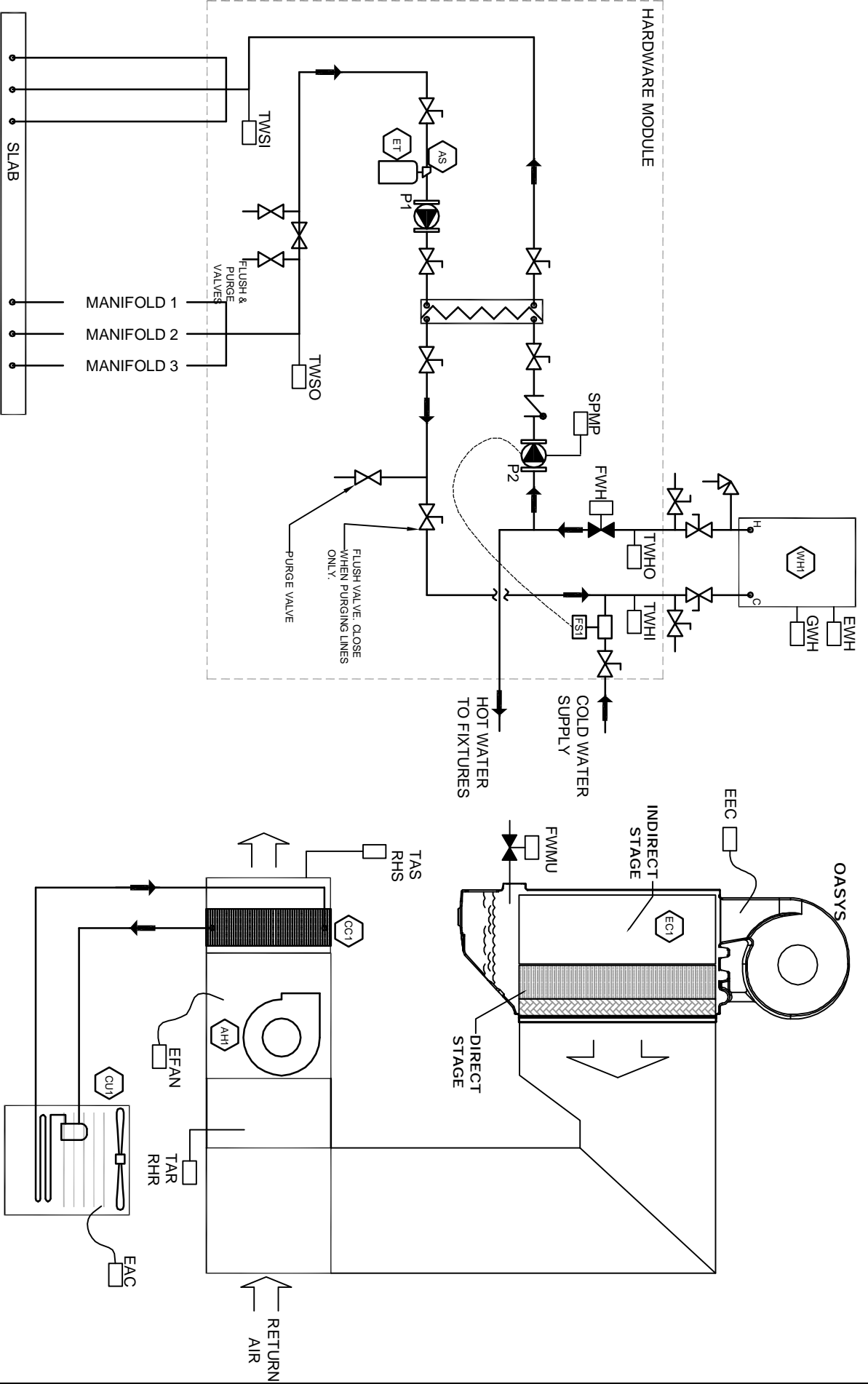
Z:\ANALYSIS\Building America\TO 10A - Adv. Syst. Research\Borrego Springs\Monitoring\Borrego_Mech_schematic.dwg Jul 05, 2005 - 1:07 pm

DAVIS ENERGY GROUP, INC.
 123 C Street, Davis, CA 95616
 (530) 753-1100, FAX (530) 753-4125
 www.davisenergy.com

MONITORING SCHEMATIC -- WAGON
 OASYS w/ RADIANT FLOOR HEATING & COOLING

DATE: 13-MAY-05
 SCALE: NONE
 SHEET 1 OF 4

JOB: BLDAM
 DRAWN BY: DEG



Z:\ANALYSIS\Building America\TO 10A - Adv. Syst. Research\Borrego Springs\Monitoring\Borrego_Mech_schematic.dwg Jul 05, 2005 - 1:07 pm

DAVIS ENERGY GROUP, INC.TM
 123 C Street, Davis, CA 95616
 (530) 753-1100, FAX (530) 753-4125
 www.davisenergy.com

MONITORING SCHEMATIC - BROKEN ARROW
 OASYS w/ CONVENTIONAL AC & RADWT FLOOR

DATE: 13-MAY-05
 SCALE: NONE
 SHEET 1 OF 4

JOB: BLDAM
 DRAWN BY: DEG
 SHEETS